

PD Series

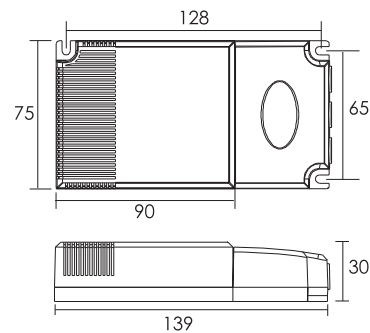
1-10V Dimming LED Driver

1-10V调光LED恒流驱动器

Features:

- Dimmable with low-voltage control signal (DC1..10V)
- Constant current output
- Good ideal for high power LED lighting
- Independent compact design
- High efficiency
- 12V output auxiliary active LED cooler
- Protections: opencircuit, shortcircuit, overload, overtemperature
- RoHS compliant

- 适用低电压直流1...10V调光器
- 恒流输出驱动
- 匹配专业型大功率LED灯具
- 超小体积，独立式紧凑型设计
- 系统温升低,高效率
- 12V辅助LED有源冷却供电系统
- 输出开路, 短路, 过载和超温保护
- 符合RoHS环保指令



Parameters:

Model No. 型号	Input voltage 额定电压 (V)	Max. output 功率 (W)	Output current 输出电流 (mA)	Output voltage 输出电压 (V)	Power factor 功率因数 (λ)	Fan output voltage 风扇电压 (V)	Fan output current 风扇电流 (mA)	Ambient temperature 环境温度 ta (°C)	Max. casing temperature 最大外壳温度 tc (°C)	Isolation 隔离	Dimensions LxWxH 尺寸 (mm)	Weight 重量 (g)
PD700-40	220-240	40	700	18-56	0.95	12	0-150	-20...+50	90	SELV	139X75X30	210
PD1050-40	220-240	40	1050	12-38	0.95	12	0-150	-20...+50	85	SELV	139X75X30	210
PD1400-40	220-240	40	1400	10-28	0.95	12	0-150	-20...+50	85	SELV	139X75X30	210
PD1600-60	220-240	60	1600	26-38	0.95	12	0-150	-20...+50	85	SELV	139X75X30	210

