

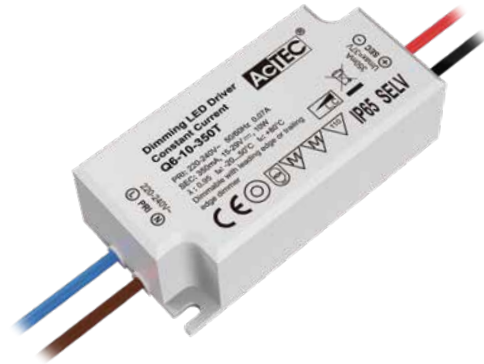
Q6 Series

TRIAC Dimming LED Driver

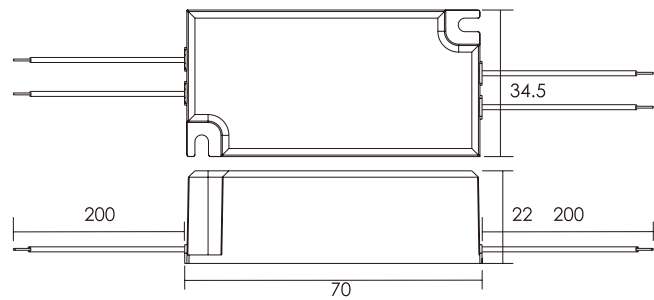
可控硅调光LED驱动器

Features:

- Dimmable with leading edge or trailing edge dimmer
- Independent compact design
- Primary and secondary sides come with leads
- Wide output voltage extended down to 50%
- High power factor >0.95
- High efficiency
- Protections: opencircuit, shortcircuit, overload, overtemperature
- Simple installation
- Smooth dimming compatible with most dimmer
- Dimming range from 1...100%



- 适用普通可控硅前切相或后切相调光器
- 超小体积，独立式紧凑型设计
- 输入和输出端引线型
- 50%宽输出电压范围
- 高功率因数>0.95
- 高效率，高可靠性，长寿命
- 输出开路，过载，短路和过温保护
- 安装经济便捷
- 平滑高性能调光，匹配更多的调光器
- 调光范围 1...100%光通量



Parameters:

Model No. 型号	Input voltage 额定电压 (V)	Max. output 功率 (W)	Output current 输出电流 (mA)	Output voltage 输出电压 (V)	Power factor 功率因数 (λ)	Efficiency full load 效率 (%)	No-load power 空载功率 (W)	Ambient temperature 环境温度 ta (°C)	Max. casing temperature 最大外壳温度 tc (°C)	Isolation 隔离	Dimensions LxWxH 尺寸 (mm)	Weight 重量 (g)
Q6-10-350T	220-240	10	350	15-29	0.95	83	<0.5	-20...+50	80	SELV	70x34.5x22	80
Q6-10-500T	220-240	10	500	10-20	0.95	82	<0.5	-20...+50	80	SELV	70x34.5x22	80
Q6-10-700T	220-240	10	700	7-15	0.95	80	<0.5	-20...+50	80	SELV	70x34.5x22	80